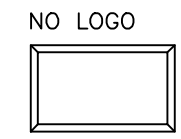
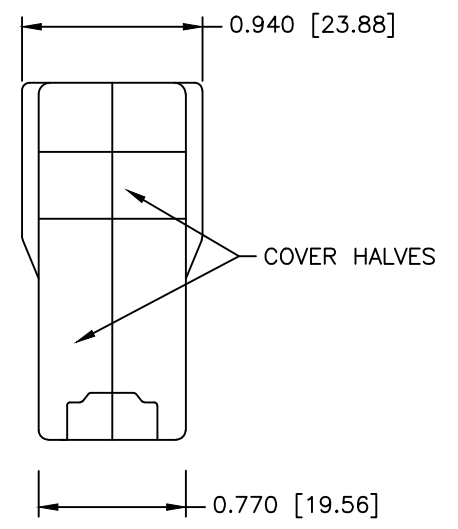
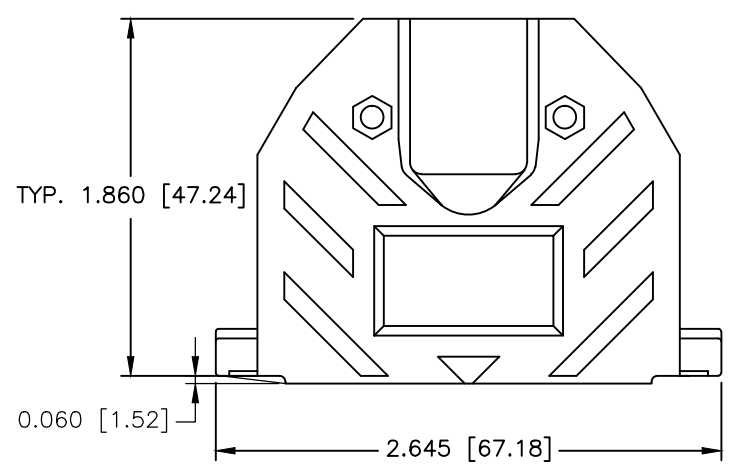
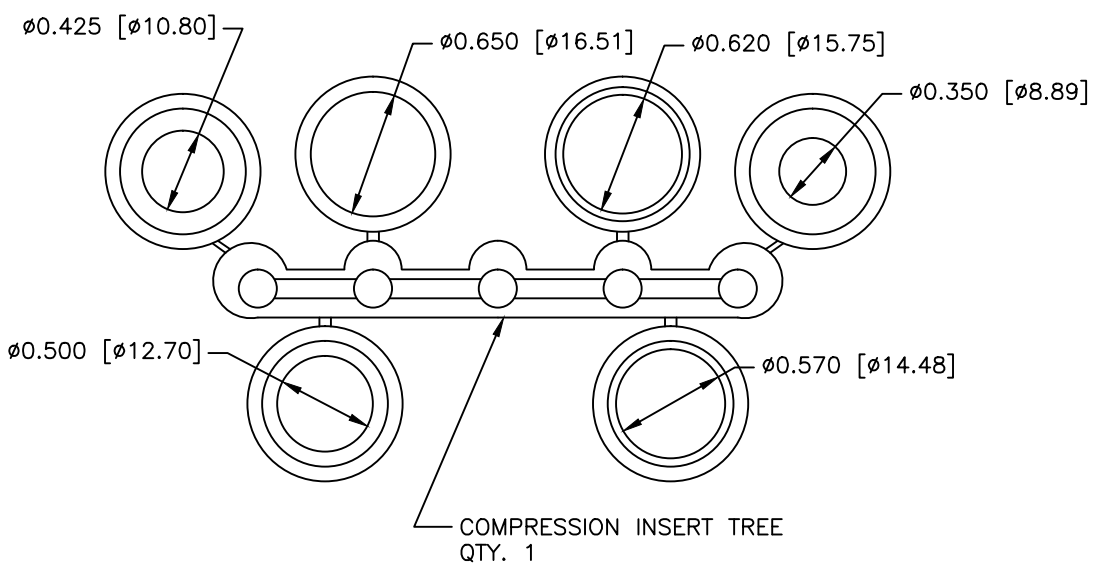


REVISIONS				
ZONE	REV	DESCRIPTION	DATE	APPROVED
	A	ECN 0825	20-OCT-20	



PART NUMBER INFORMATION

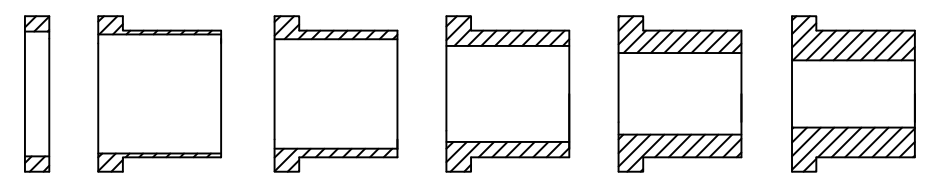
PART#	LOGO STYLE	SUPPLIED
C88E349100	NO LOGO	PACKAGED
A30E349100	NO LOGO	BULK



- #4-40 X 7/16" FILLISTER HEAD MACHINE SCREW  
MATERIAL - STEEL  
FINISH - BRIGHT ZINC  
QTY: 2 EACH
- #4-40 #2 BLANK HEX NUT  
MATERIAL - STEEL  
FINISH - BRIGHT ZINC  
QTY: 2 EACH
- #4-40 X 1/2" FILLISTER HEAD CAPTIVE SCREW  
MATERIAL - STEEL  
FINISH - BRIGHT ZINC  
QTY: 2 EACH
- #4 SADDLE WASHER  
MATERIAL - STEEL  
FINISH - BRIGHT ZINC  
QTY: 2 EACH

- CONNECTOR COVER:
- MATERIAL: ABS COMPOUND - UL94HB
  - FINISH: NICKEL PLATING PER NTC SPECIFICATION N/T 000500
  - DIMENSIONS: INCHES [MM]
  - TOLERANCE: ±0.015 [0.381]

- COMPRESSION INSERT TREE
- MATERIAL: THERMOPLASTIC
  - COLOR: BLACK
  - DUROMETER: 75 ±5 TYPE A PER ASTM D2240
  - DIMENSIONS: INCHES [MM]
  - TOLERANCE: ±0.020 [0.508]



THIS IS A CONTROLLED DOCUMENT AND IS SUBJECT TO CHANGE. CONTACT NORTHERN TECHNOLOGIES ENGINEERING FOR THE LATEST REVISION.

UNLESS OTHERWISE SPECIFIED 1. ALL DIMENSIONS ARE IN INCHES (MM) 2. DIMENSIONS ARE TYPICAL		<b>Northern Technologies</b> <small>THIS DRAWING IS THE PROPERTY OF NORTHERN TECHNOLOGIES AND SHOULD NOT BE REPRODUCED WITHOUT NORTHERN TECHNOLOGIES WRITTEN PERMISSION.</small>		
DRAWN JSD 14-AUG-06		PART NUMBER SEE PART NUMBER INFORMATION		
CHECKED SCN 14-AUG-06		DESCRIPTION CMP 50 STR EXIT TWO PIECE FLANGELESS METALIZED PLASTIC COVER		
ISSUED 14-AUG-06		SIZE B	CODE 200_135F	REV 0002-200-135F
SCALE NTS				SHEET 1 OF 1