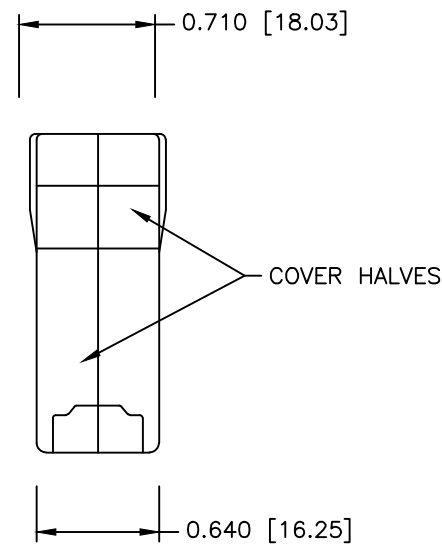
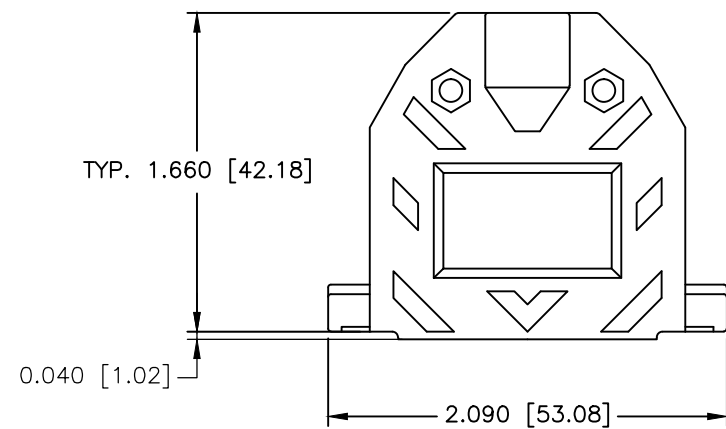
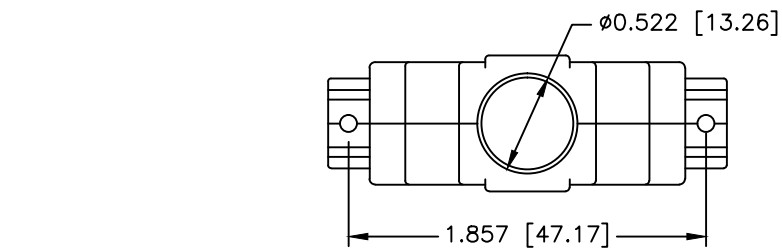


REVISIONS				
ZONE	REV	DESCRIPTION	DATE	APPROVED
	A	ECN 0825	20-OCT-20	

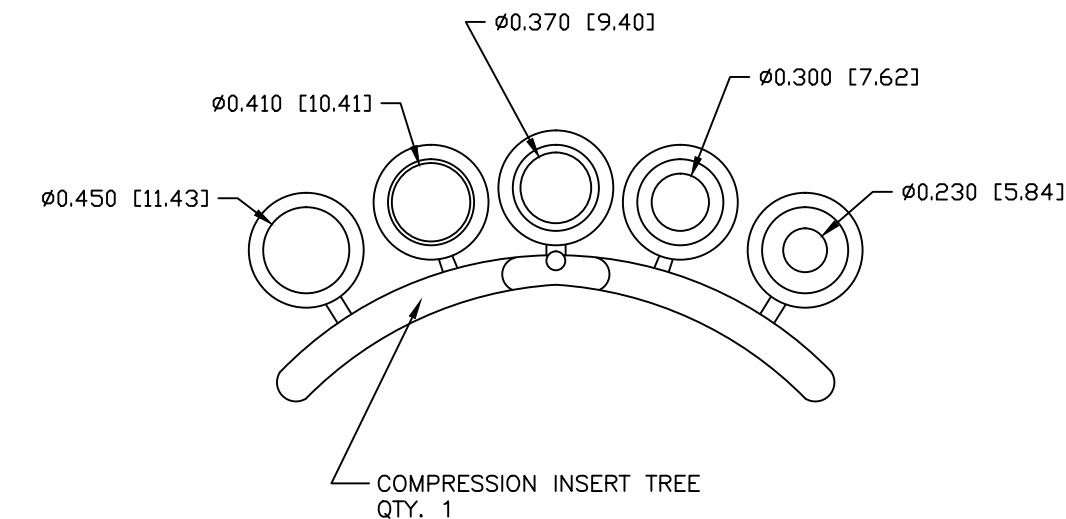


NORTECH LOGO

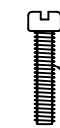
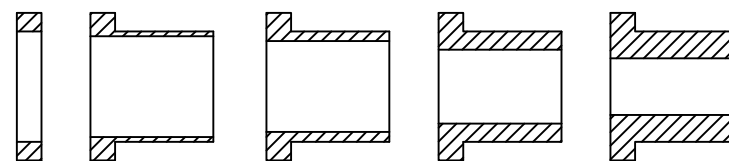


PART NUMBER INFORMATION

PART#	LOGO STYLE	SUPPLIED
C88E329000	NORTECH LOGO	PACKAGED
A30E329000	NORTECH LOGO	BULK



COMPRESSION INSERT TREE
QTY. 1



#4-40 X 7/16" FILLISTER HEAD MACHINE SCREW
MATERIAL - STEEL
FINISH - BRIGHT ZINC
QTY: 2 EACH



#4-40 #2 BLANK HEX NUT
MATERIAL - STEEL
FINISH - BRIGHT ZINC
QTY: 2 EACH



#4-40 X 1/2" FILLISTER HEAD CAPTIVE SCREW
MATERIAL - STEEL
FINISH - BRIGHT ZINC
QTY: 2 EACH



#4 SADDLE WASHER
MATERIAL - STEEL
FINISH - BRIGHT ZINC
QTY: 2 EACH

CONNECTOR COVER:

- 1.MATERIAL: ABS COMPOUND - UL94HB
- 2.FINISH: NICKEL PLATING PER NTC SPECIFICATION N/T 000500
- 3.DIMENSIONS: INCHES [MM]
- 4.TOLERANCE: ±0.015 [0.381]

COMPRESSION INSERT TREE

- 1.MATERIAL: THERMOPLASTIC
- 2.COLOR: BLACK
- 3.DUROMETER: 75 ±5 TYPE A PER ASTM D2240
- 4.DIMENSIONS: INCHES [MM]
- 5.TOLERANCE: ±0.020 [0.508]

THIS IS A CONTROLLED DOCUMENT AND IS SUBJECT TO CHANGE. CONTACT NORTHERN TECHNOLOGIES ENGINEERING FOR THE LATEST REVISION.

UNLESS OTHERWISE SPECIFIED

1. ALL DIMENSIONS ARE IN INCHES (MM)
2. DIMENSIONS ARE TYPICAL

Northern Technologies

THIS DRAWING IS THE PROPERTY OF NORTHERN TECHNOLOGIES AND SHOULD NOT BE REPRODUCED WITHOUT NORTHERN TECHNOLOGIES WRITTEN PERMISSION.

PART NUMBER SEE PART NUMBER INFORMATION
DESCRIPTION CMP 25 STR EXIT TWO PIECE FLANGELESS METALIZED PLASTIC COVER

DRAWN JSD	14-AUG-06	SIZE B	CODE 200_133F	DWG NO. 0002-200-133F	REV
CHECKED SCN	14-AUG-06	SCALENTS		SHEET 1 OF 1	
ISSUED	14-AUG-06				